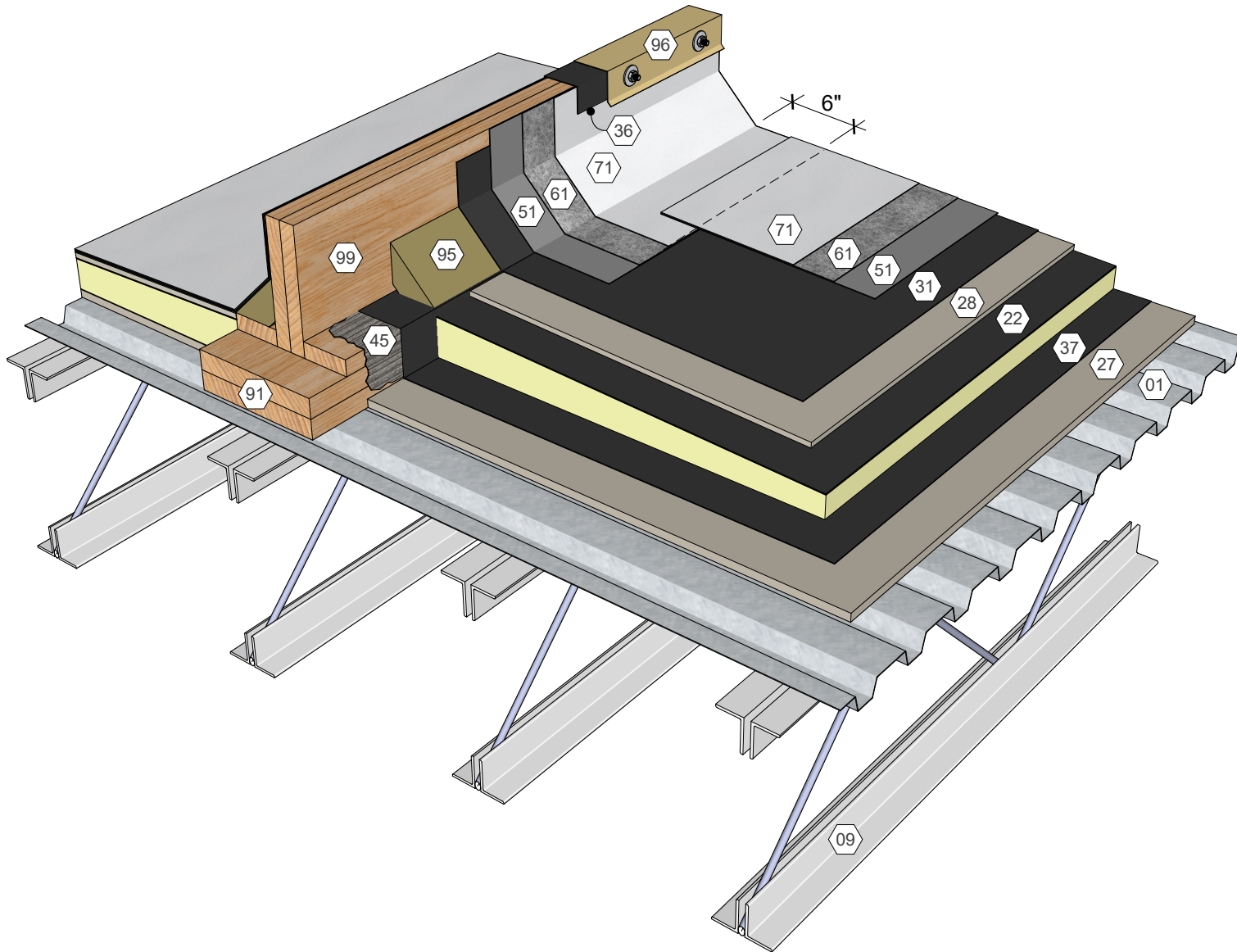
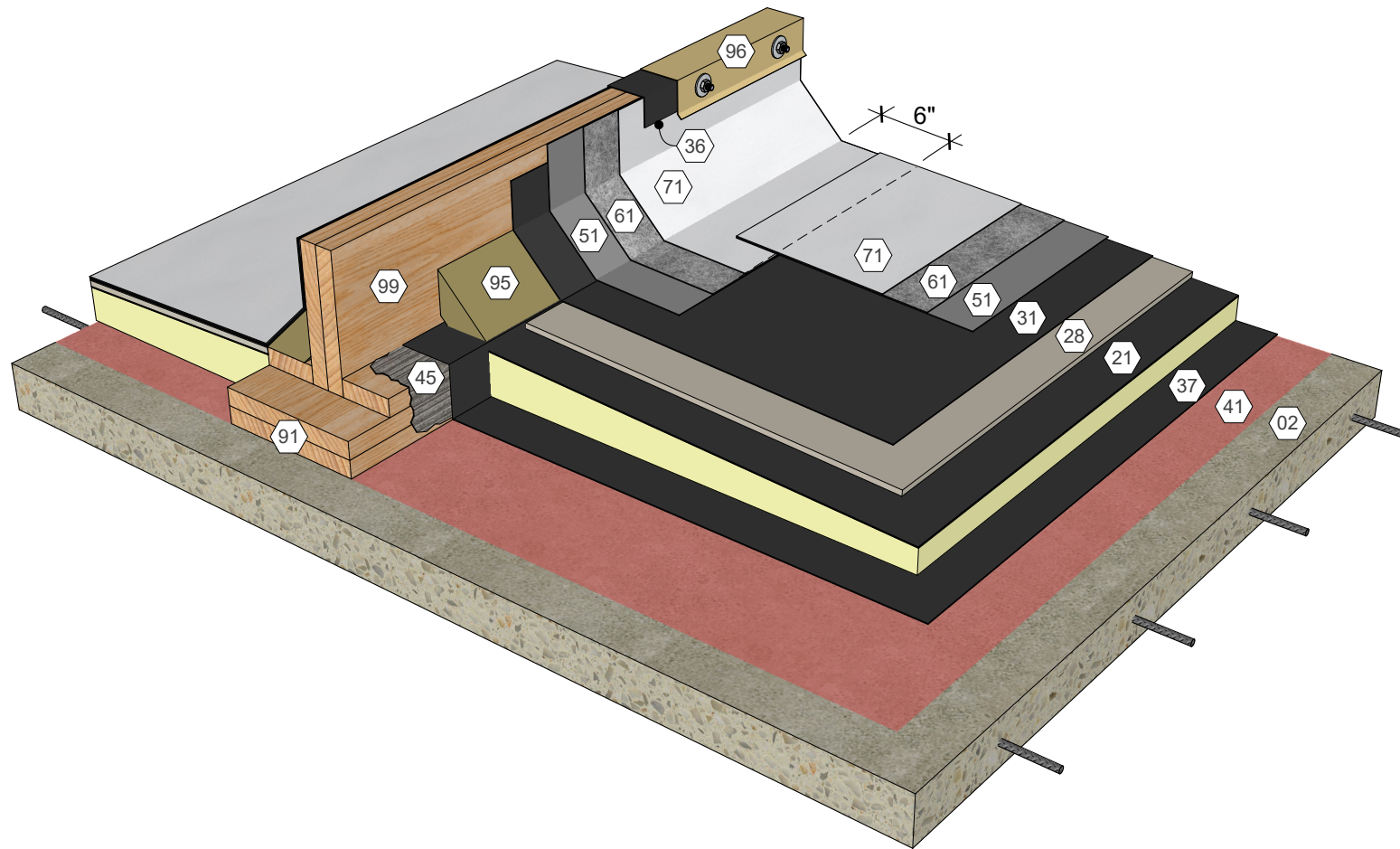


KEY NOTES

- 01 Metal Deck
- 09 Roof Structure
- 22 Polyisocyanurate Insulation (Fastened or Adhered)
- 27 Substrate Board (Fastened)
- 28 Cover Board (Adhered)
- 31 Approved Base Ply Sheet
- 36 Base Sheet Liner
- 37 Approved Base Sheet (Adhered)
- 45 Roofing Mastic
- 51 AlphaGuard MT/MTS Base Coat
- 61 AlphaGuard Glass Mat or Permafab
- 71 AlphaGuard MT/MTS Top Coat
- 91 Wood Blocking
- 95 Cant Strip
- 96 Metal Coping
- 99 Area Divider



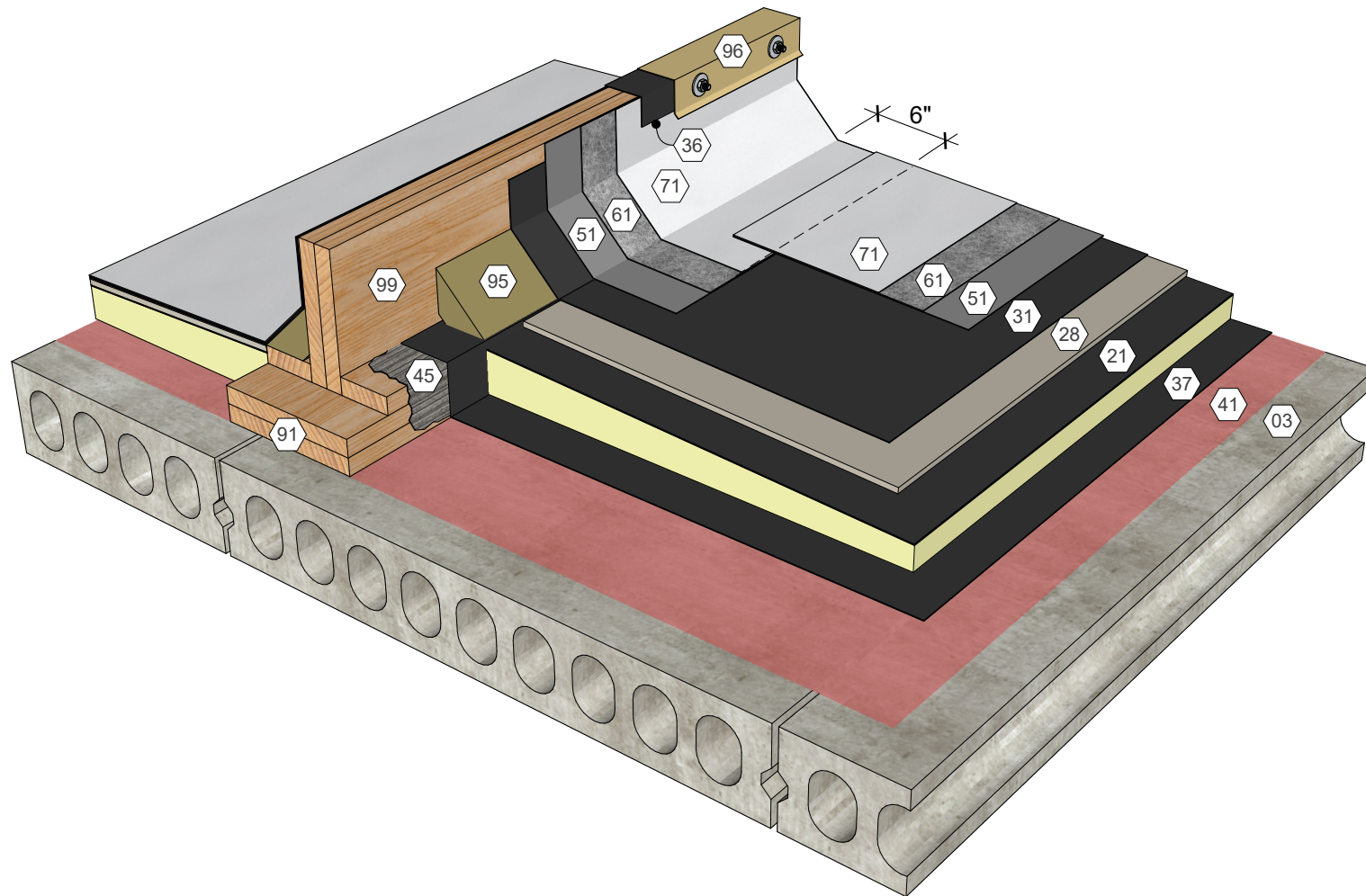
AlphaGuard® MT/MTS Plus Area Divider, Temp. Roof, Metal Deck
Detail 32091



KEY NOTES

- 02 Structural Concrete Deck
- 21 Polyisocyanurate Insulation (Adhered)
- 28 Cover Board (Adhered)
- 31 Approved Base Ply Sheet
- 36 Base Sheet Liner
- 37 Approved Base Sheet (Adhered)
- 41 Approved Primer
- 45 Roofing Mastic
- 51 AlphaGuard MT/MTS Base Coat
- 61 AlphaGuard Glass Mat or Permafab
- 71 AlphaGuard MT/MTS Top Coat
- 91 Wood Blocking
- 95 Cant Strip
- 96 Metal Coping
- 99 Area Divider

AlphaGuard® MT/MTS Plus Area Divider, Temp. Roof, Structural Concrete Deck
 Detail 32092



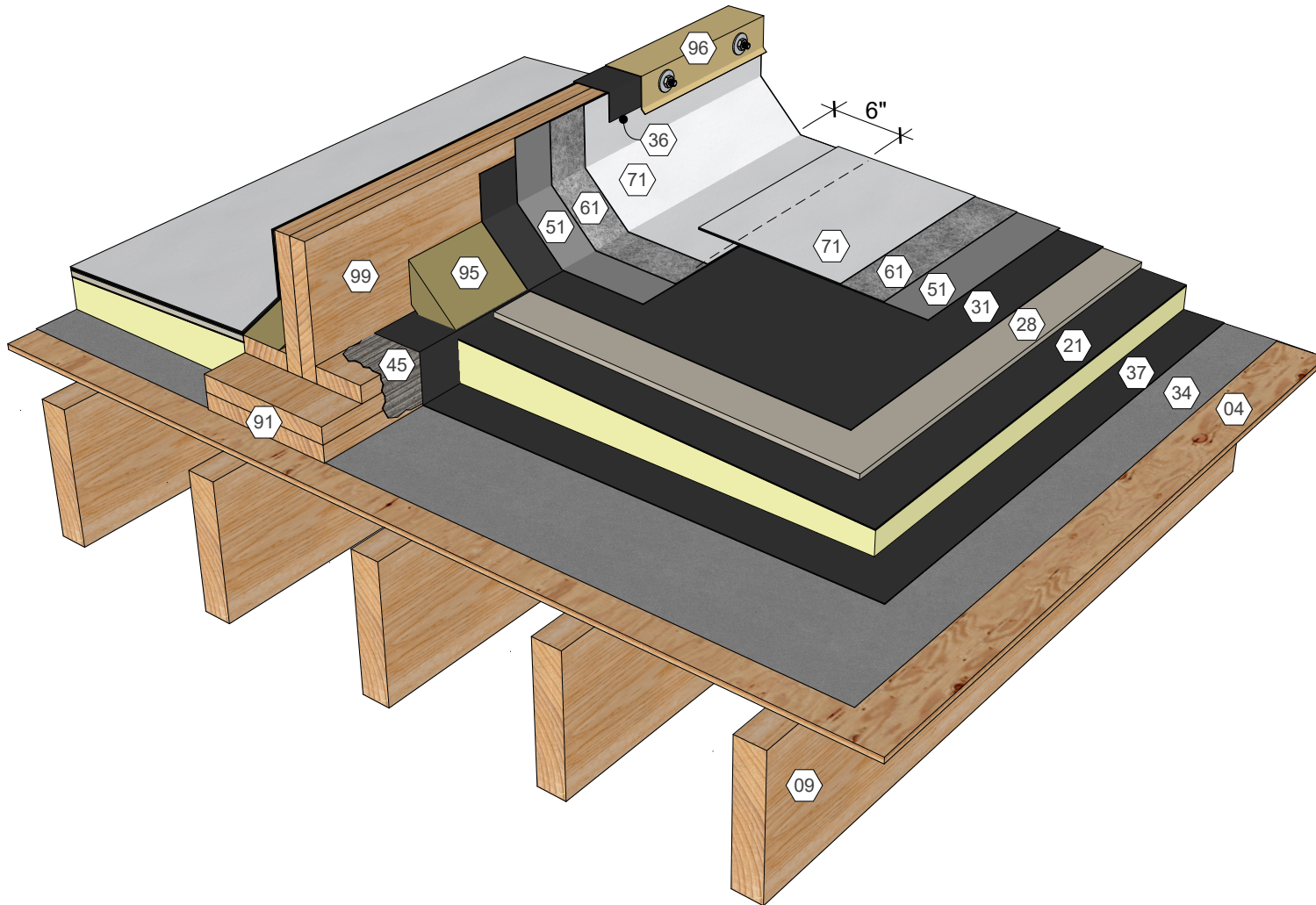
KEY NOTES

- 03 Precast Concrete Deck
- 21 Polyisocyanurate Insulation (Adhered)
- 28 Cover Board (Adhered)
- 31 Approved Base Ply Sheet
- 36 Base Sheet Liner
- 37 Approved Base Sheet (Adhered)
- 41 Approved Primer
- 45 Roofing Mastic
- 51 AlphaGuard MT/MTS Base Coat
- 61 AlphaGuard Glass Mat or Permafab
- 71 AlphaGuard MT/MTS Top Coat
- 91 Wood Blocking
- 95 Cant Strip
- 96 Metal Coping
- 99 Area Divider

AlphaGuard® MT/MTS Plus Area Divider, Temp. Roof, Precast Concrete Deck
Detail 32093

KEY NOTES

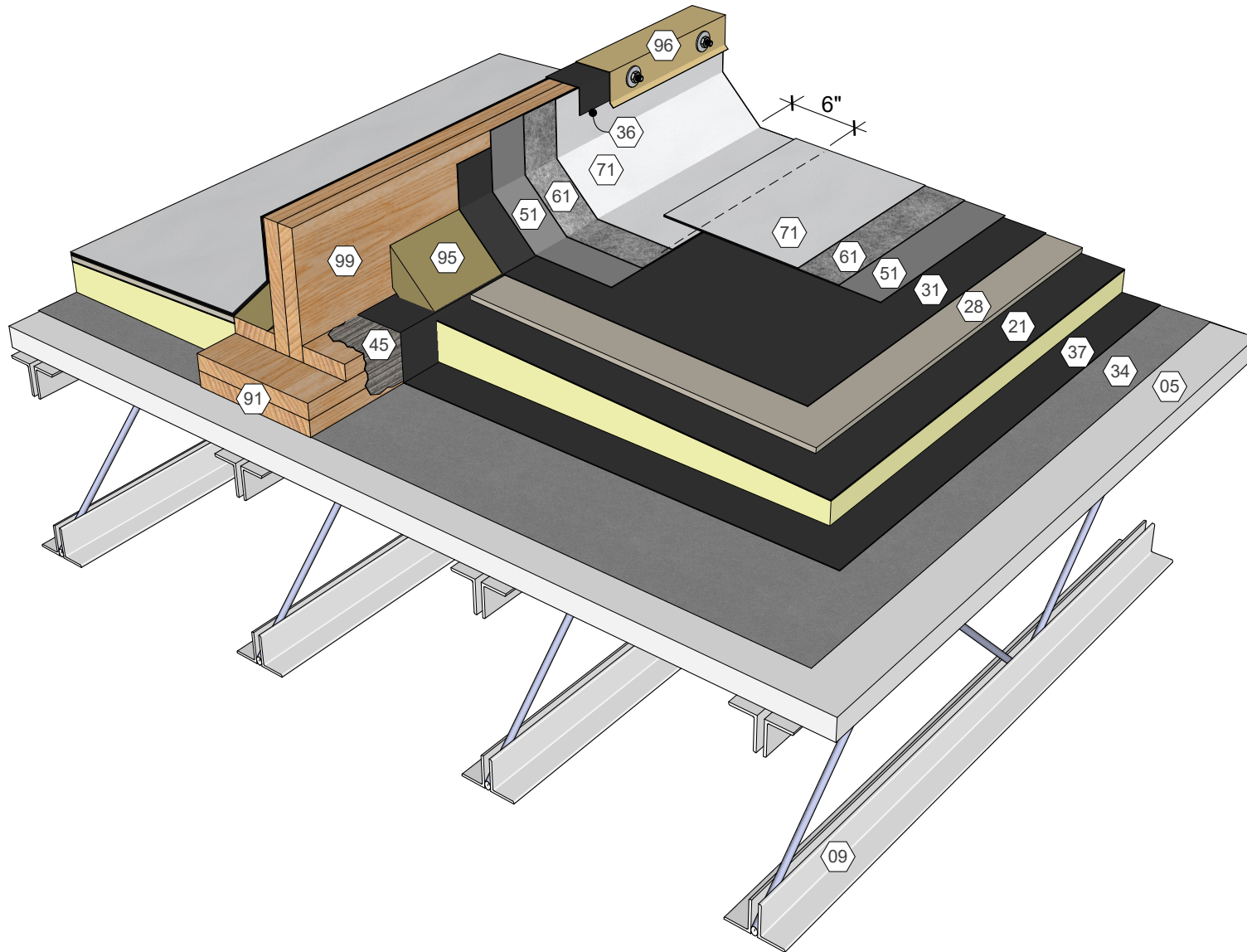
- 04 Wood Deck
- 09 Roof Structure
- 21 Polyisocyanurate Insulation (Adhered)
- 28 Cover Board (Adhered)
- 31 Approved Base Ply Sheet
- 34 Base Sheet (Fastened)
- 36 Base Sheet Liner
- 37 Approved Base Sheet (Adhered)
- 45 Roofing Mastic
- 51 AlphaGuard MT/MTS Base Coat
- 61 AlphaGuard Glass Mat or Permafab
- 71 AlphaGuard MT/MTS Top Coat
- 91 Wood Blocking
- 95 Cant Strip
- 96 Metal Coping
- 99 Area Divider



AlphaGuard® MT/MTS Plus Area Divider, Temp. Roof, Wood Deck
Detail 32094

KEY NOTES

- 05 Gypsum Deck
- 09 Roof Structure
- 21 Polyisocyanurate Insulation (Adhered)
- 28 Cover Board (Adhered)
- 31 Approved Base Ply Sheet
- 34 Base Sheet (Fastened)
- 36 Base Sheet Liner
- 37 Approved Base Sheet (Adhered)
- 45 Roofing Mastic
- 51 AlphaGuard MT/MTS Base Coat
- 61 AlphaGuard Glass Mat or Permafab
- 71 AlphaGuard MT/MTS Top Coat
- 91 Wood Blocking
- 95 Cant Strip
- 96 Metal Coping
- 99 Area Divider



AlphaGuard® MT/MTS Plus Area Divider, Temp. Roof, Gypsum Deck
Detail 32095